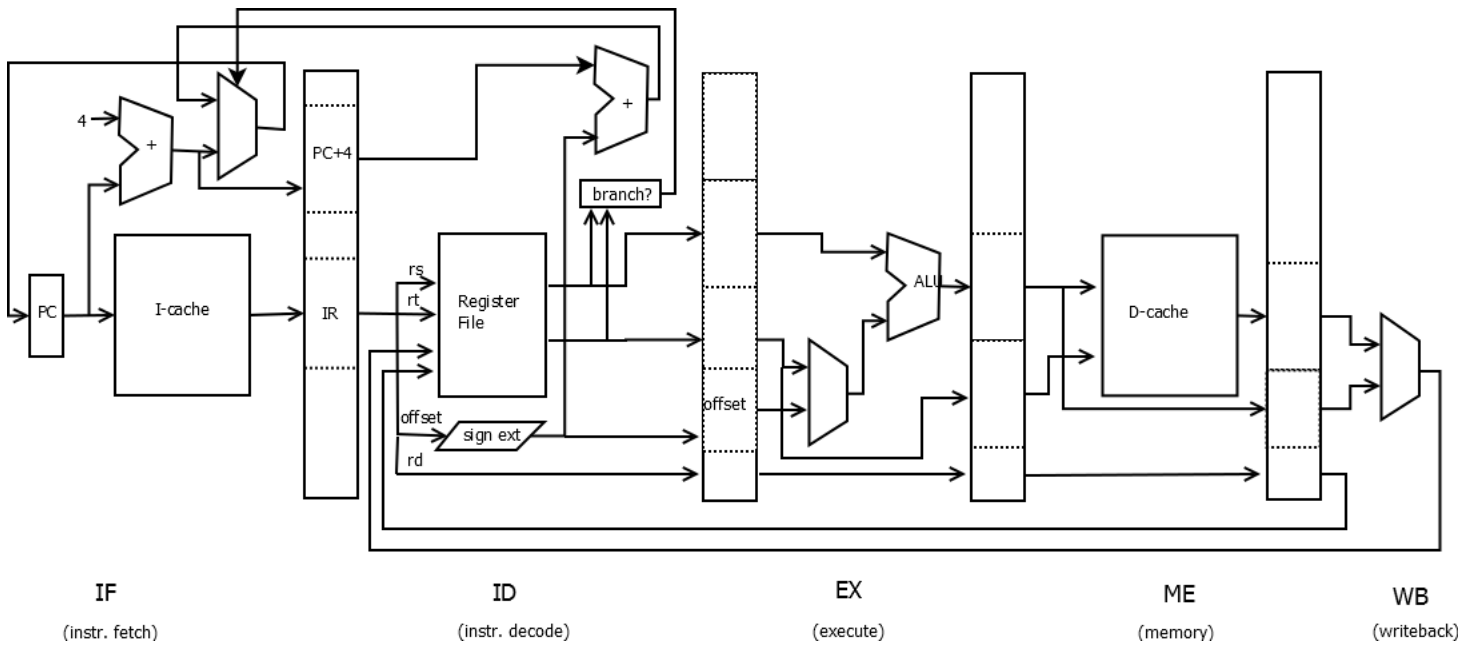


MIPS Datapath



Instruction	IF	ID	EX	ME	WB
lw r1,20(r2)	fetch;pc+=4	decode; read r2	EA=r2+20	read	write r1
sw r1,20(r2)	fetch;pc+=4	decode; read r2,r1	EA=r2+20	write	—
add r1,r2,r3	fetch;pc+=4	decode; read r2,r3	r2+r3	—	write r1
addi r1,r2,imm	fetch;pc+=4	decode; read r2	r2 + imm	—	write r1
beq r1,r2,off	fetch;pc+=4	decode; read r1,r2 BA=pc+4+offset*4 if(r1==r2) pc=BA	—	—	—

- EA = effective address
- BA = branch address