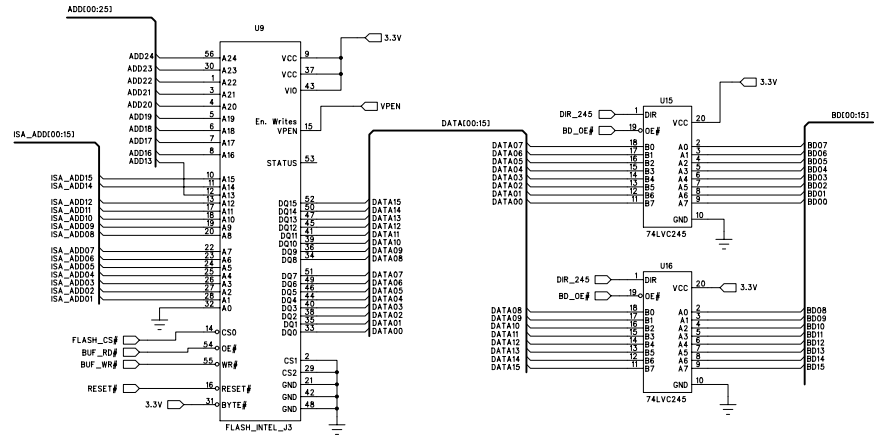
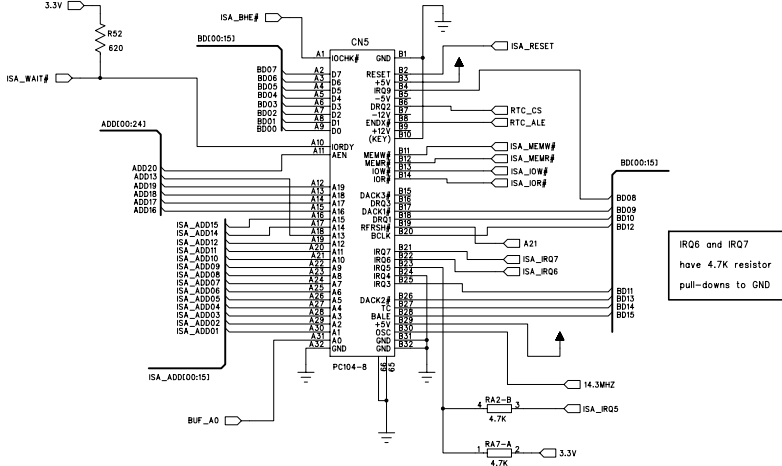


4-32 MB Flash



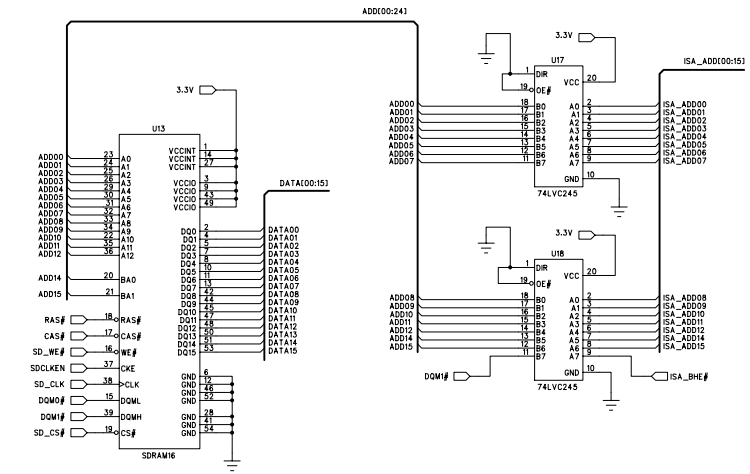
PC/104 Connector



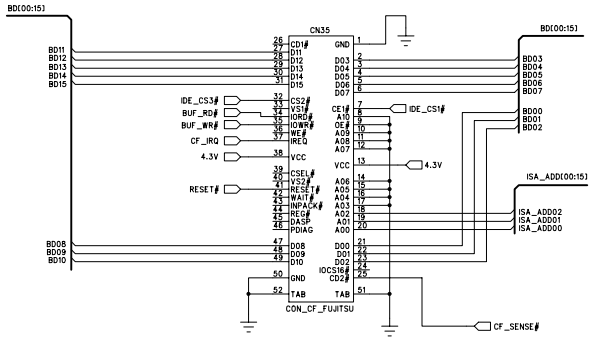
IRQ6 and IRQ7 have 4.7K resistor pull-downs to GND

SDRAM

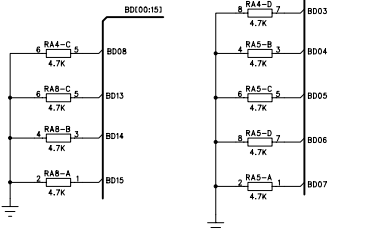
16 / 32 / 64 MB



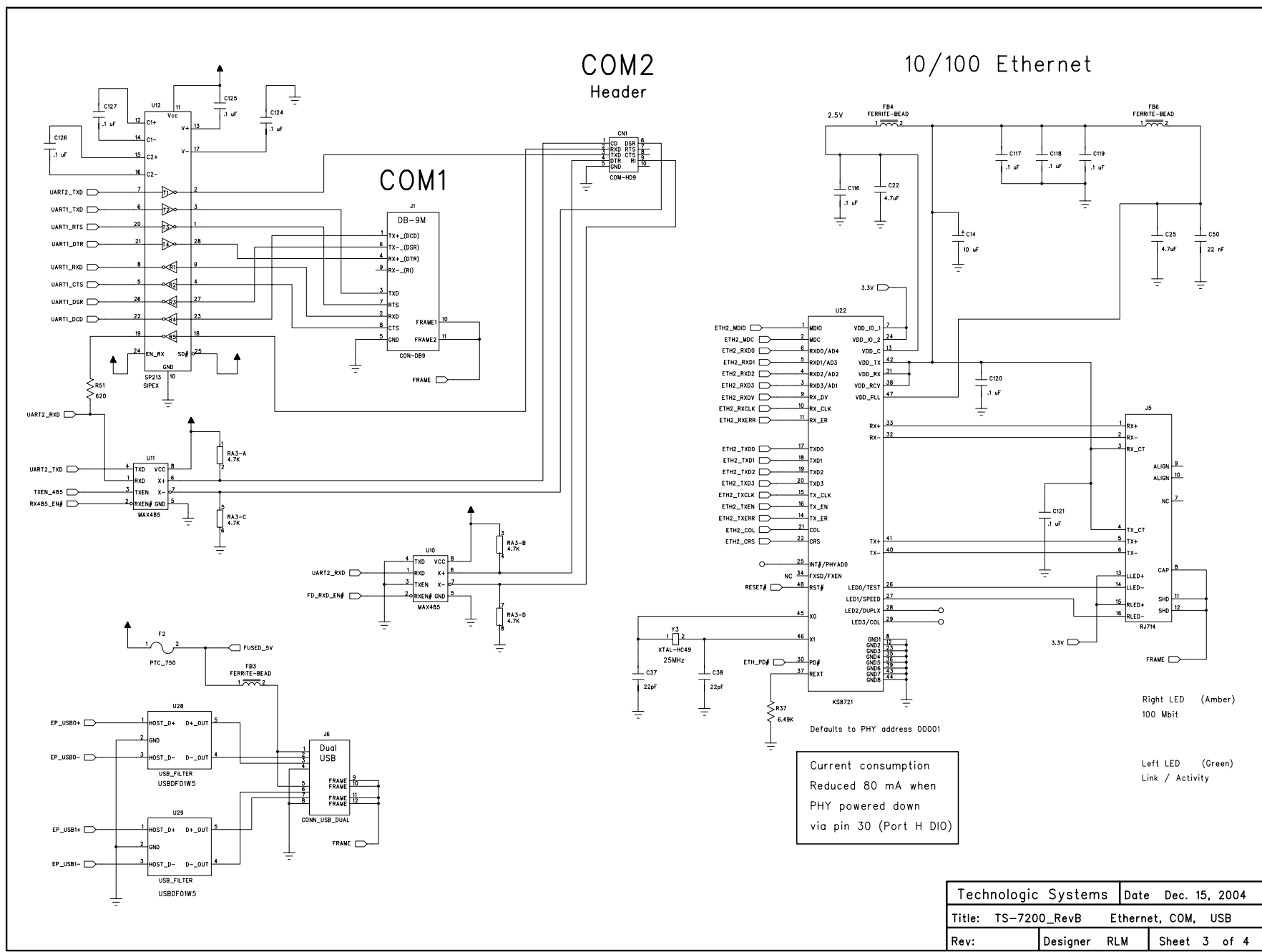
Compact Flash



Data Bus Pull-Down Resistors



Technologic Systems	Date Dec. 15, 2004
Title: TS-7200_RevB RAM, Flash, PC/104	
Rev:	Designer RLM Sheet 2 of 4



COM2 Header

10/100 Ethernet

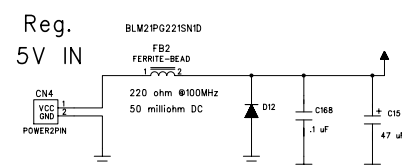
COM1

Current consumption
 Reduced 80 mA when
 PHY powered down
 via pin 30 (Port H DIO)

Right LED (Amber)
 100 Mbit

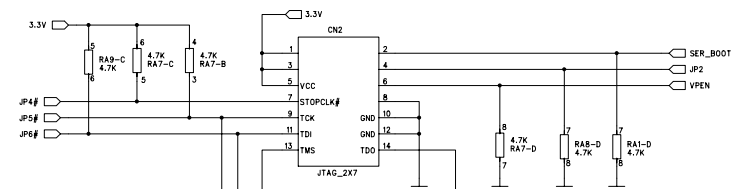
Left LED (Green)
 Link / Activity

Technologic Systems	Date Dec. 15, 2004
Title: TS-7200_RevB Ethernet, COM, USB	
Rev:	Designer RLM Sheet 3 of 4

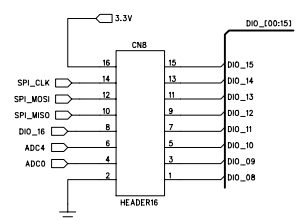


- Jumpers:**
- JP1 = Boot Serial
 - JP2 = Console Enable
 - JP3 = Write Enable Flash
 - JP4 = Stop @ Redboot
 - JP5 = TS_Test
 - JP6 = Reserved

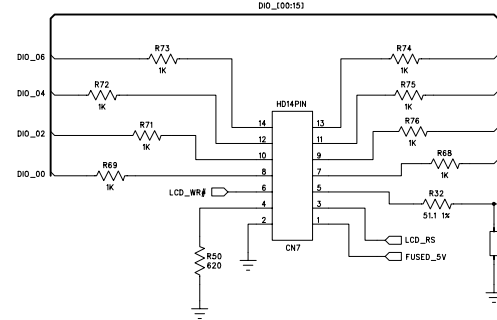
JTAG and Jumpers



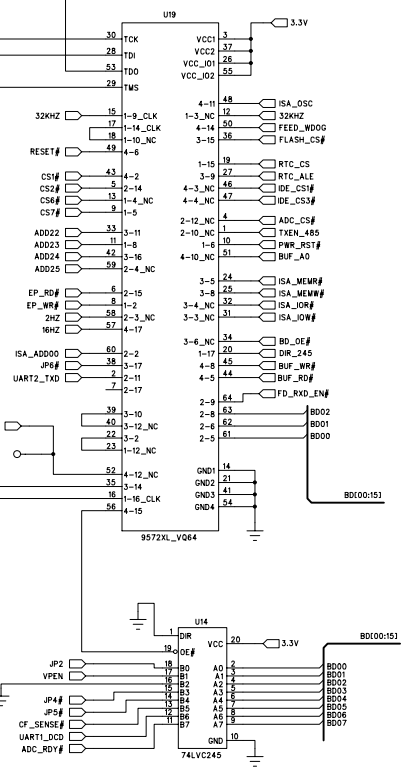
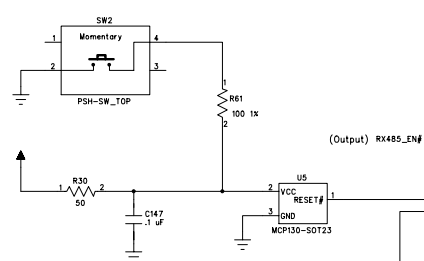
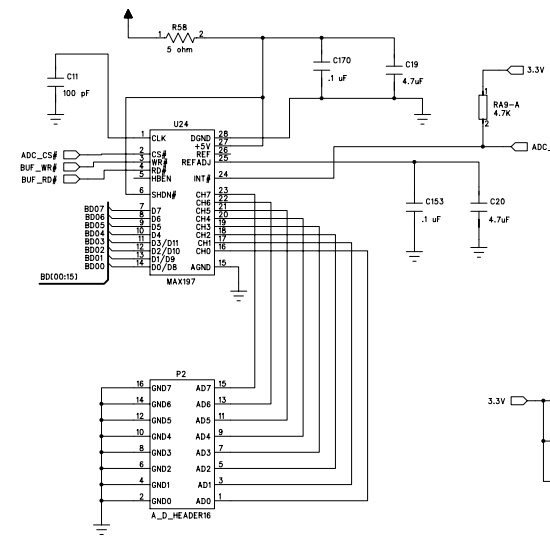
DIO Port



LCD Port



12-bit A/D Converter



Technologic Systems	Date Dec. 15, 2004
Title: TS-7200_RevB PLD, LCD, DIO, ADC	
Rev:	Designer
Sheet 4 of 4	